

# HDPE BUTT-WELD FITTINGS

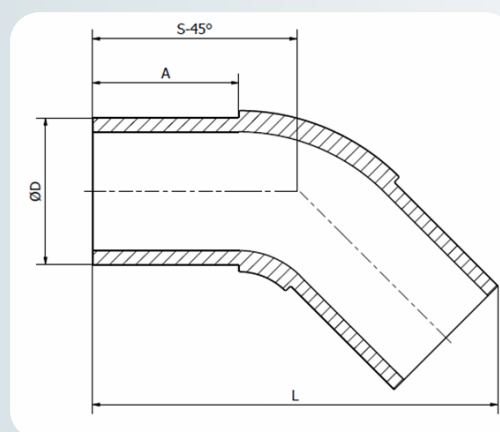
## Moulded Fittings



**PIPESTAR**  
AFRICA

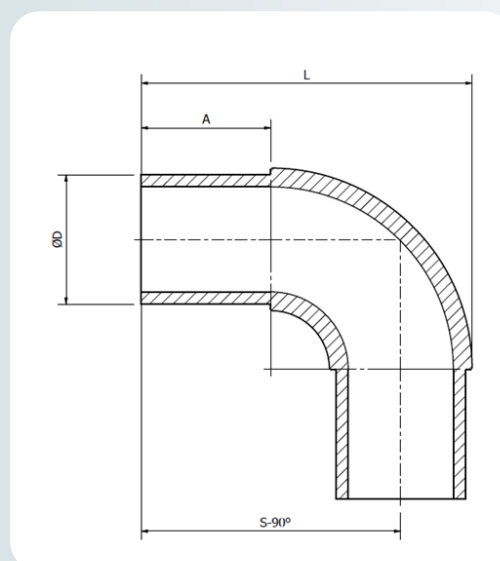
### MOULDED SHORT RADIUS ELBOW 45°

OD	L	A	S-45°
mm	mm	mm	mm
63	160	79	105
75	180	89	120
90	228	114	151
110	246	118	164
125	248	115	167
160	310	138	204
180	340	159	234
200	355	167	250
225	398	173	266
250	420	192	296
315	510	220	350
355	530	155	302
400	580	148	314
450	650	170	356
500	735	205	412
560	760	200	432
630	820	220	481
710	860	250	544



### MOULDED SHORT RADIUS ELBOW 90°

OD	L	A	S-90°
mm	mm	mm	mm
50	120	55	95
63	133	63	102
75	163	70	126
90	182	79	137
110	214	82	159
125	240	87	178
140	244	88	174
160	258	80	178
180	297	97	207
200	308	97	208
225	367	115	255
250	362	100	237
280	433	130	293
315	460	125	303
355	540	150	363
400	600	180	400
450	650	155	425
500	700	155	450
630	850	170	535
710	900	175	545



# HDPE BUTT-WELD FITTINGS

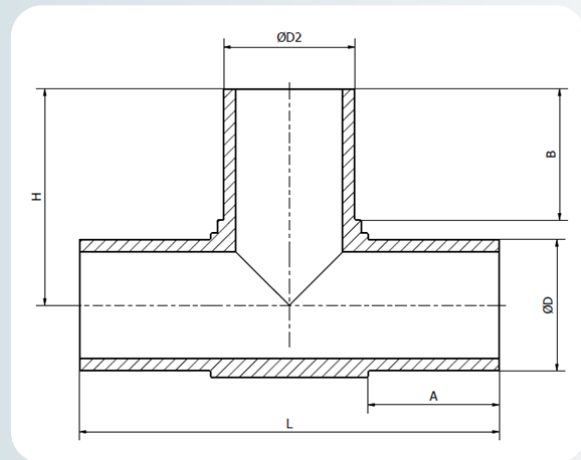
## Moulded Fittings



**PIPESTAR**  
AFRICA

### MOULDED EQUAL TEES

OD	L	A	B	H
mm	mm	mm	mm	mm
50	170	55	55	82
63	200	63	63	104
75	230	70	70	114
90	260	79	79	133
110	290	82	82	145
125	315	87	87	160
140	345	92	92	170
160	325	75	75	170
180	420	105	105	225
200	377	75	84	200
225	484	120	120	230
250	517	120	120	265
280	590	140	140	300
315	615	130	125	310
355	630	120	120	350
400	670	120	120	360
450	890	195	192	440
500	1037	220	220	500
560	1085	222	230	545
630	1175	225	235	600
710	1285	232	240	645



## CONTACT

22 Old Vereeniging Road, Kliprivier,  
Midvaal, South Africa, 1871  
Tel: +27 87 655 4390

Registration Number: 1964/006605/07  
VAT Number: 4170232781

**i-cert**  
ISO 9001:2015

✉ [info@pipestarafrika.com](mailto:info@pipestarafrika.com)  
🌐 [www.pipestarafrika.com](http://www.pipestarafrika.com)

+ disclaimer: Whilst every care has been taken in the preparation of this brochure, neither Pipestar Africa nor any of their agencies can be held liable for any errors in this publication. It should also be noted that this brochure is intended for reference only. Due consultation is required when designing for particular applications, and no liability will be entertained in this regard.